

Drainage device

for control panels & enclosures, IP66 / IP69K



IP66

IP69K

RoHS
compliant

REACH
COMPLIANCE

Made in
Germany

In enclosures and housings with a high degree of protection, temperature differences result in condensation. By using a drainage device, it is possible to safely drain off the condensate without losing a maximum enclosure protection of IP66. A water-permeable membrane ensures the drainage of the enclosure due to its capillary effect. The design prevents splash water from entering the interior of the enclosure.

The drainage device is fixed in the bottom of the enclosure using the union nut in a hole of $\varnothing 50.5 +0.5$ mm. Make sure that the sealing ring is on the outer housing wall and that the hole is free of burrs.

Specifikationer

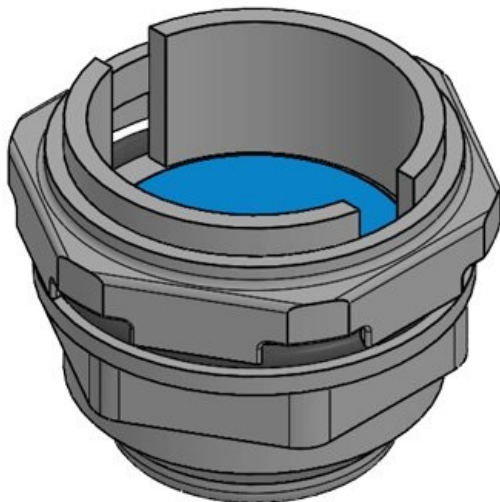
IP-Klass (EN 60529)	IP66, IP69K
Temperatur	-45 C° till 70 C°
Monteringstyp	Fäst med låsmutter

Fördelar

- High protection class IP66 / IP69K
- Good drainage performance
- Easy assembly
- Based on a standard cut-out
- Sturdy, weatherproof and UV-resistant housing

Produkttyper och storlekar

Drainage device M50



ArtNr.	99193	Utskärning,	50,5 mm
EAN	4251269324	rund	
	789	Tråd	M50 x 1,5
Antal	1	Water	200 ml/h
Längd	49,5 mm	permeability (5	
Bredd	60 mm	mm water	
Höjd	60 mm	column)	
Monteringshöj	28,5 mm		
d			

